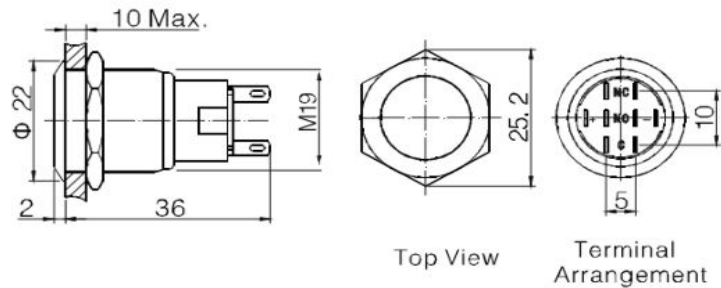


Schalter 250V/5A Edelstahl IP65 bündig 19mm



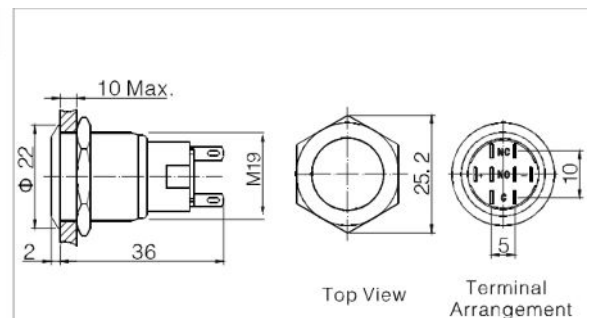
Technische Daten

Anschluss (Bauelemente)	Flachstecker 2.8 mm
Einbau-Durchmesser	19 mm
Farbe Gehäuse/Knopf	Stahl
Form (Typ)	rund
Funktionen (Schalter/Taster)	rastend
Knopf- \emptyset	22 mm
Lebensdauer (elektrisch)	50.000 Zyklen
Lebensdauer (mechanisch)	1.000.000 Zyklen
Schalter/Taster-Art (Kategorisierung)	Druckschalter
Schalter/Taster-Besonderheiten	Betätiger flach
Schaltspannung	250 V/AC
Schaltstrom (max.)	3 A
Schutzart	IP65
Temperatur (max.)	+55 °C
Temperatur (min.)	-20 °C

PUSHBUTTONS



- ⊙ $\Phi 19$ mm diameter
- ⊙ 5A, 250VAC
- ⊙ 1NO1NC/2NO2NC
- ⊙ The Front Shape: Flat Round
- ⊙ The crust material: Stainless Steel
- ⊙ IP Degree : IP65



Item no.	1272979 1272981 1272983 1272985
The Front Shape	Flat Round
Terminations	Soldering(Pin Terminal)/2.8mm tabs
Switching	NO.3
Max. Switch Rating	5A/250VAC
Contact Resistance	≤50mΩ
Insulation Resistance	≥1000MΩ
Dielectric Strength	2000VAC
Operating Temp.	- 20°C ~ + 70°C
Mechanical life	1,000,000 cycles
Electrical life	50,000 cycles
Contact material	Silver Alloy
Panel Thickness	1 ~ 10mm
Torque	5 ~ 14Nm
Operation Pressure	5.5N
IP Degree	IP65
Material	Button Stainless Steel
	Body Stainless Steel
	Base PBT
RoHS	Yes

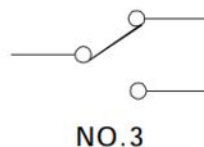
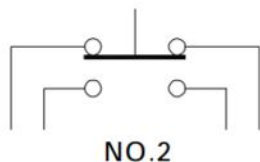


Lamp Ratings

Lamp Type	LED		
	AC/DC6V	AC/DC12V	AC/DC24V
Rated Voltage	AC/DC110V		AC/DC220V
	R G Y O B W		
Colours			
Life	About 40,000 hours		

Note: There are protective resistor in the lamp, special voltage rate can be made to order.

Switching Operation



Soldering information

- ⦿ Handiwork soldering: Soldering iron 30W or under at 230°C for 3 sec max.

